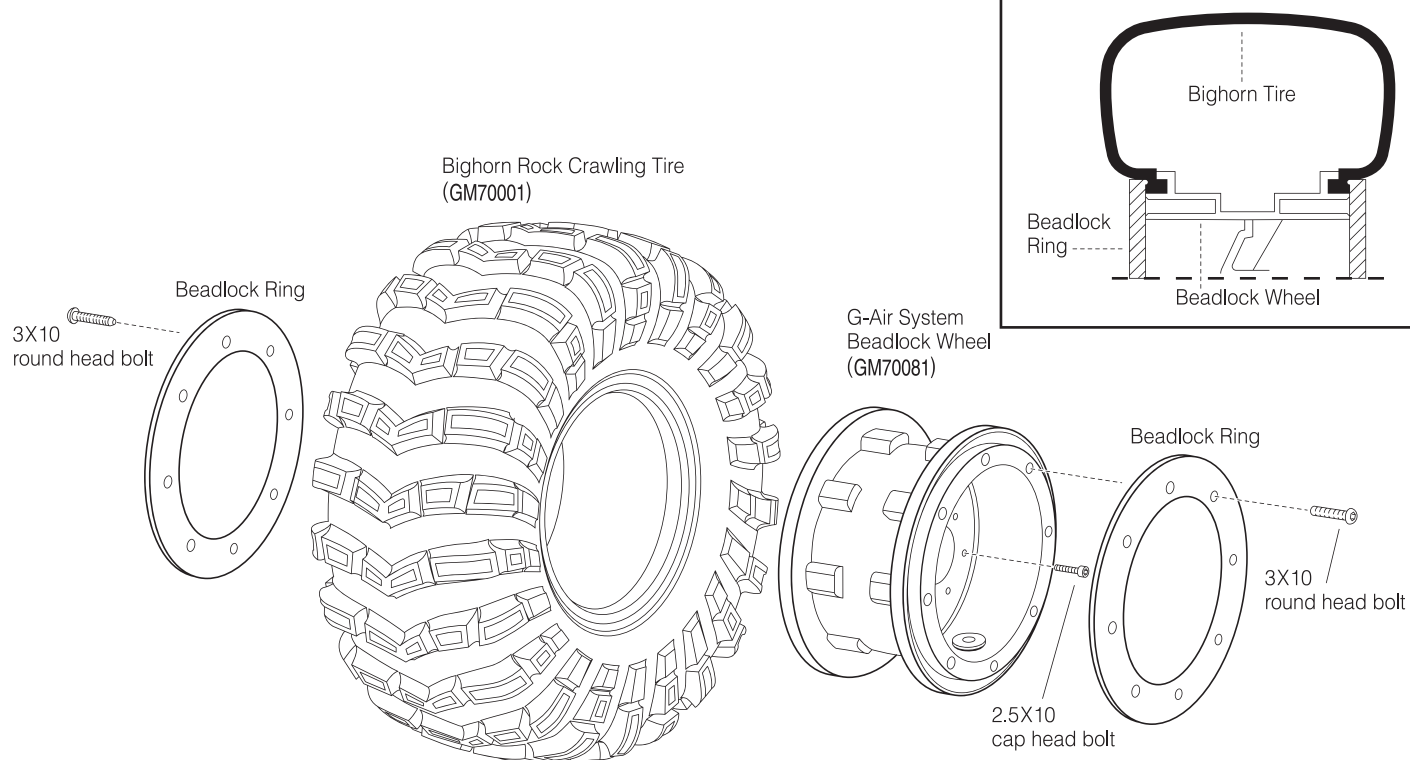


G-Air System Beadlock Wheels Instructions

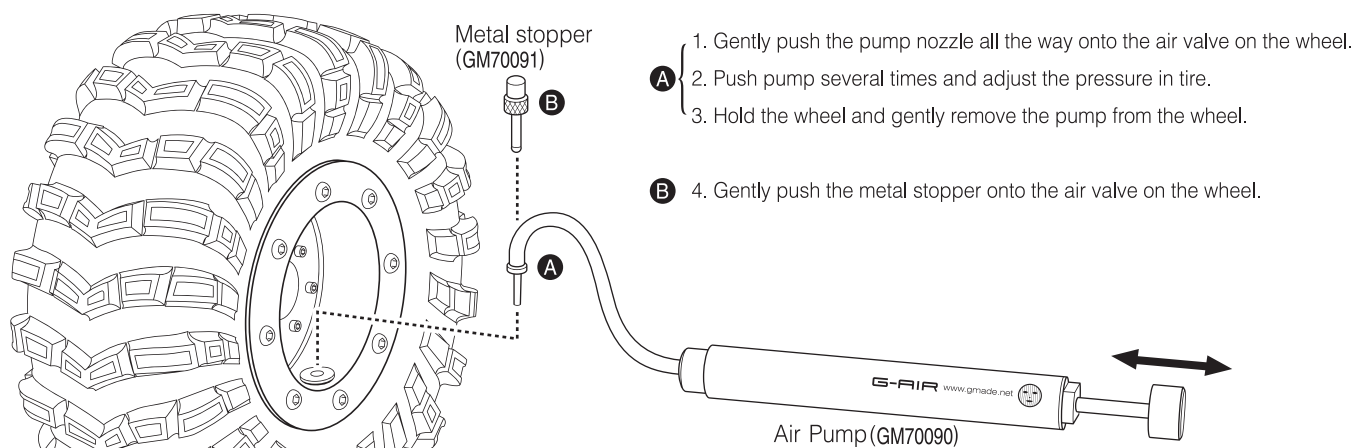
STEP 1 Items included

- G-Air System Beadlock Wheels x 4
- Beadlock Rings x 8
- Metal stoppers x 4
- 3 X 10 round head bolts x 64 pieces
- 2.5 X 10 cap head bolts x 24 pieces
- Air Pump x 1
- Air hose x 1
- Air Nozzles x 2
- Bighorn Rock Crawling Tires x 4
- 2mm allen wrench

STEP 2 **Caution** : Do not over tighten bolts.



STEP 3



Check your inflation pressures at least once a week and before rock crawling!